

# H4 STANDARD LONG LIFE 3000K



## Product Description

High quality car bulbs give up to 40% more light. Very economical for the longest life up to 200% in standard bulbs. High quality replacement for LongLife EcoVision. You do not have to worry about replacing the bulb.

- Up to + 40% more light
- Up to + 15 m more distance
- 200% Longer Life
- Long lasting
- Fully road legal

Lunex halogen bulbs produce up to two times more luminous power than standard bulbs, thereby improving driving safety in all conditions, provide maximum visibility. They last far longer than standard bulbs. The light they provide is more intense and offers a consistent, clearly defined beam.

Unique patented packaging to ensure reliability of the product transport as per picture above.

UV filter – extended the lifetime of bulbs - increase the life span.

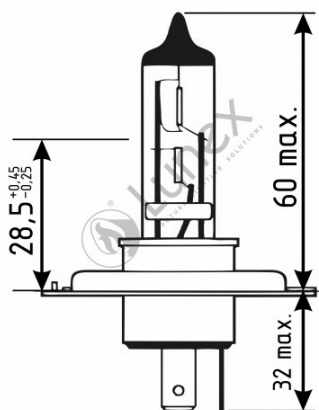
HQ UV Quartz Glass is a very strong glass, resistant to extreme temperatures and vibrations, eliminating the risk of explosion. UV quartz glass emits a stronger, cleaner light.

Simple to use, no need to change the lamp line and easy installation (plug in & replace stock light bulbs).

Authenticity confirmation - QR code

International warranty - 1 year

High Quality Premium Replacement Bulbs



## Technical data

Power input	55/60 W
Nominal voltage	12.0 V
Nominal wattage	55/60 W
Base	P43t
Color temperature	3000K
Luminous flux	1000 lm